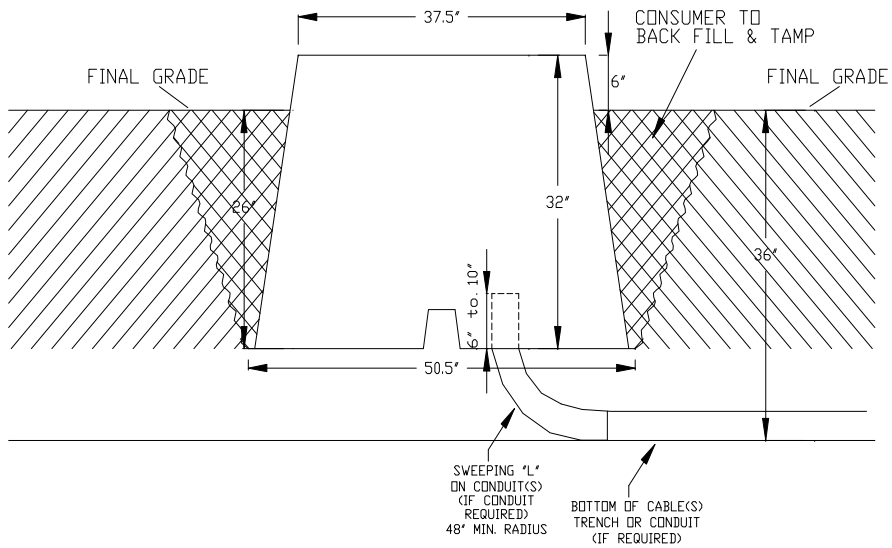
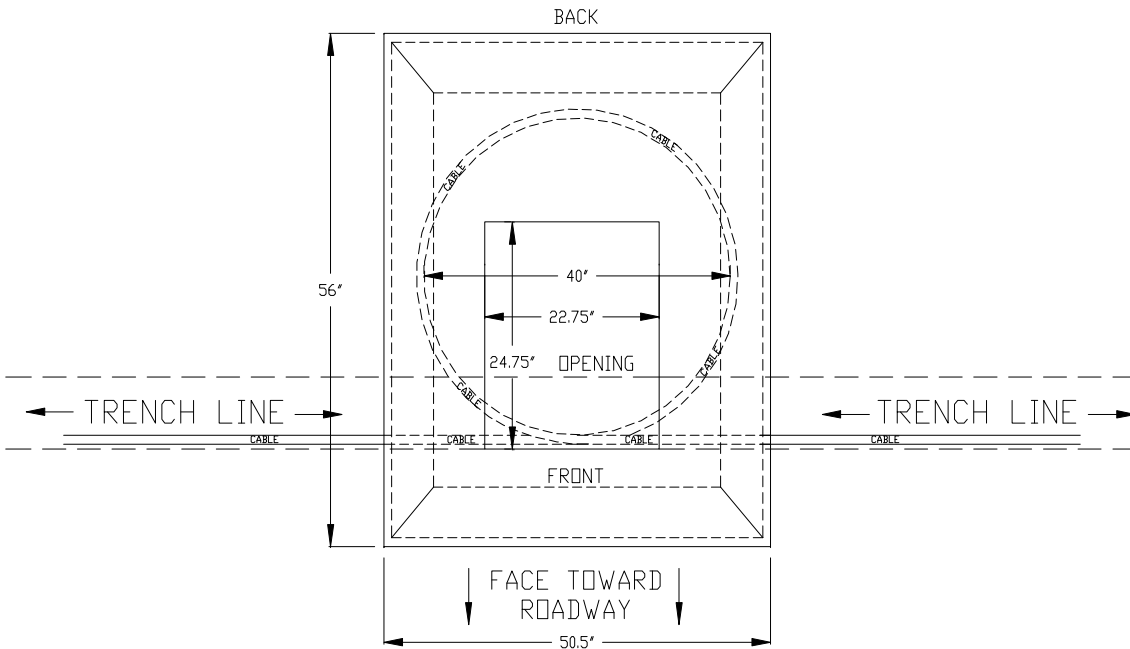


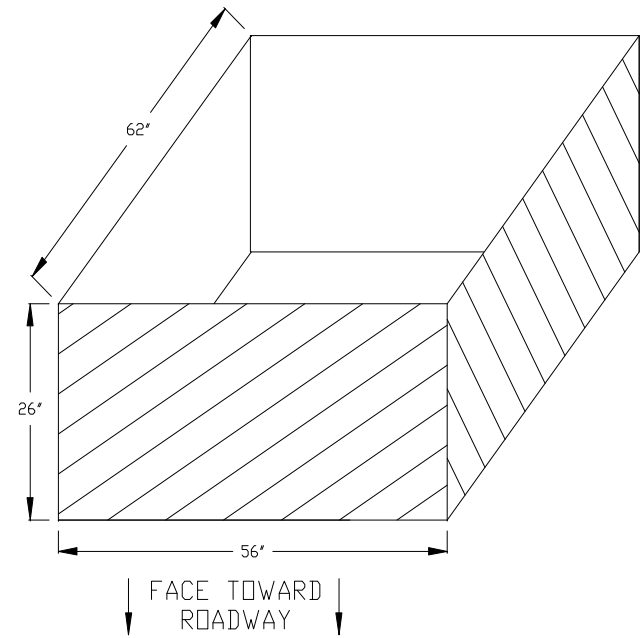
PROFILE VIEW



PLAN VIEW



MINIMUM EXCAVATION REQUIREMENTS



Single Phase Enclosure
Box Pad
Profile and Plan View



Central Virginia
Electric Cooperative

06/28/05